

Trex-Onics® Low Capacitance VFD Shielded Power Cable

- UL Listed
- CSA
- Type TC-ER – 600 V
- Max Conductor Temp 90°C
- Suitable for Class I, II, Div. 2
- FT-4 Flame Rating
- CE
- CSA – 1,000 V
- RoHS Compliant
- Corona Resistant to 2,000 V
- Oil Resistant
- Sunlight Resistant

TPC's Trex-Onics® Low Capacitance VFD Shielded Power Cable is designed for superior performance. A heavy-duty tinned copper braid protects equipment and motor from damage caused by electrical noise and 'stray voltage' and provides a shield against EM and RF noise and interference, and a low impedance path to ground. The finely stranded copper conductors extend conductor life in dynamic applications and are alpha-numerically marked for ease of identification. The oil resistant insulation system offers high dielectric, tensile and mechanical properties.

FEATURES & BENEFITS

1. FINELY STRANDED COPPER CONDUCTORS

— Improves flexibility and extends conductor life in dynamic applications. Conductors are alpha-numerically marked for ease of identification.

2. XLPE INSULATION SYSTEM — High dielectric, tensile and mechanical properties.

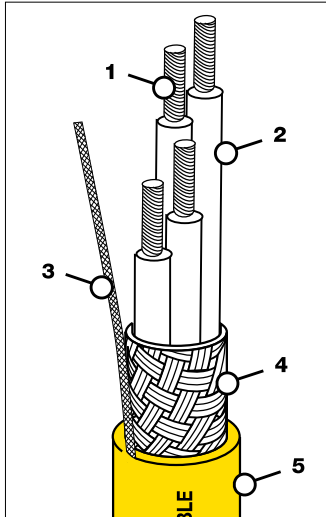
3. FLAT BRAID DRAIN WIRE

4. HEAVY-DUTY 95% COVERAGE OF TINNED COPPER BRAID — Provides a shield against EM and RF noise and interference, and a low impedance path to ground. Protects equipment and motor damage from electrical noise and "stray voltage". Designed for superior performance in moving applications.

5. SPECIALLY COMPOUNDED SECURITY YELLOW TREX-ONICS® TPE JACKET

— Superior first line defense against oil, ozone, UV exposure, as well as most chemicals. Flame and heat resistant.

6. FILLERS — Low friction, non-wicking fillers provide increased flexibility in dynamic applications.



COLOR CODE	
COND	COLOR
1, 2 & 3	Black
4	Green/Yellow

APPLICATIONS

AC Variable Frequency Drives are more prevalent today as the advantages of this technology have become better understood. The most common method of controlling VFD motors is the use of Pulse Width Modulation (PWM), a method where the frequency or pulse width of the drive signal is controlled to vary the motor speed. The issues associated with VFD systems are high switching speeds (10 KHz and higher) which generate electrical noise, corona discharge and "stray voltages". The generation of electrical noise, corona and "stray voltages" are potentially damaging to the motor and equipment if a non VFD or "drive rated" cable is installed. For this reason, TPC has designed a high performance VFD cable for dynamic industrial applications that reduces the effects of electrical noise and corona discharge, while providing a low impedance path to ground to eliminate the potential damage caused by "stray voltages".

ORDERING INFORMATION (MINIMUM PURCHASE MAY BE REQUIRED IF PRODUCT NOT STOCKED)

PART NO.	CABLE SIZE AWG	STRANDING	AMPACITY ¹	NOMINAL O.D. (IN)	WT. (LBS) PER 1000'	DRAIN WIRE AWG
60040LC	16/4	65 x 34	18	0.563	145	18
60041LC	14/4	105 x 34	25	0.588	158	16
60042LC	12/4	165 x 34	30	0.656	247	14
60043LC	10/4	105 x 30	40	0.710	308	14
60044LC	8/4	168 x 30	55	0.926	528	14
60045LC	6/4	266 x 30	75	1.02	753	14
60046LC	4/4	413 x 30	95	1.20	1083	14

NOTE: (1) Ambient temperature of 30°C, conductor temperature of 90°C, not more than three current-carrying conductors. Based on NEC, Table 310.15(B)(16).

Portable Cords
 Power Cables (600 Volt to 35 kV)
 Welding Cables
 VFD/Servo Motor Cables
 Reeling Cables
 Control Cables/Instrumentation
 Bus Cables
 Flat Festoon Cables
 Retractable Coil Cables
 Chemical & Temp. Resistant Cables
 High Temperature Cables
 Igniter Cables
 Thermocouple Extension Wires
 Engineered Custom Cables